

Slimline Magnets

Dual voltage - 12v dc (500mA) 24v dc (250mA)

Use a regulated supply

No Residual magnetism

kick off button on armature plate

Anodized aluminium housing

Mounting brackets available - see below

Up to 600lbs holding force

Door thickness 35 to 53mm

Unique safety bolt prevents magnet detaching from top plate

Tate Colson

For further assistance please contact:

Tate Colson 01704 502800

www.tatecolson.co.uk

Dimensions - magnet

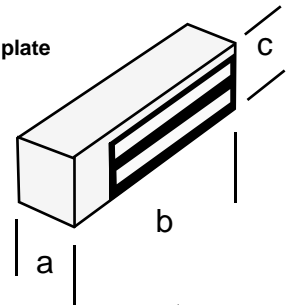
AEM10001 single unmonitored magnet

AEM10002 single monitored magnet

AEM10003 double magnet unmonitored

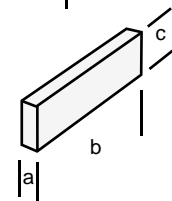
AEM10004 double magnet monitored

a	b	C + 6mm top plate
26mm	250mm	42mm
26mm	250mm	42mm
26mm	500mm	42mm
26mm	500mm	42mm

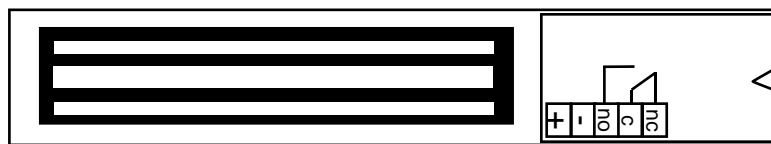


Dimensions - armature

a	b	c
12.5mm	185mm	38mm

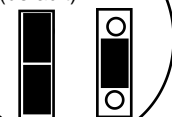


Connection details and voltage selection



Jumper Settings

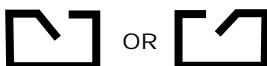
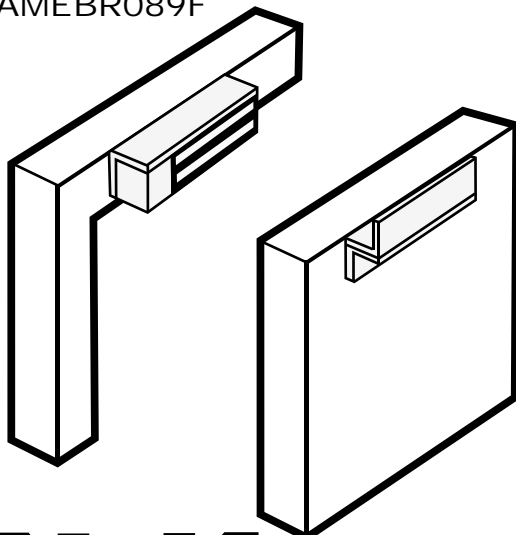
12v dc (default) 24v dc



Brackets

Inward opening door

AMEBR089F



Outward opening door

AEMBR008

