

Standard Magnets

Dual voltage - 12v dc (500mA) 24v dc (250mA)

Use a regulated supply

No Residual magnetism

kick off button on armature plate

Anodized aluminium housing

Mounting brackets available - see below

Up to 1200lbs holding force

Door thickness 35 to 53mm

Unique safety bolt prevents magnet detaching from top plate

Tate Colson

For further assistance please contact:

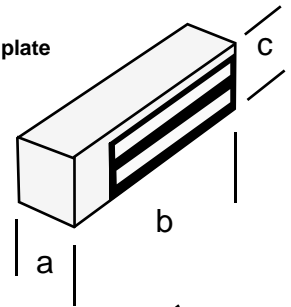
Tate Colson 01704 502800

www.tatecolson.co.uk

Dimensions - magnet

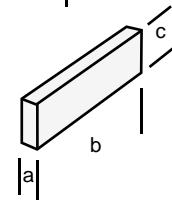
AEM10010 single unmonitored magnet	41mm	266mm	67mm
AEM10020 single monitored magnet	41mm	266mm	67mm
AEM10030 single magnet double monitored	41mm	266mm	67mm
AEM10040 double magnet monitored	41mm	532mm	67mm
AEM10050 double magnet double monitored	41mm	532mm	67mm
AEM10060 double magnet unmonitored	41mm	532mm	67mm

a	b	C + 6mm top plate
41mm	266mm	67mm
41mm	266mm	67mm
41mm	532mm	67mm
41mm	532mm	67mm
41mm	532mm	67mm

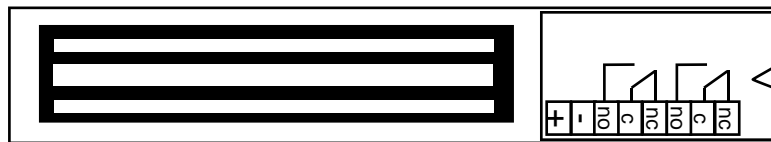


Dimensions - armature

a	b	c
16mm	185mm	61mm

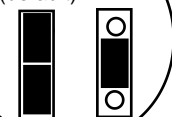


Connection details and voltage selection



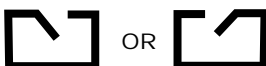
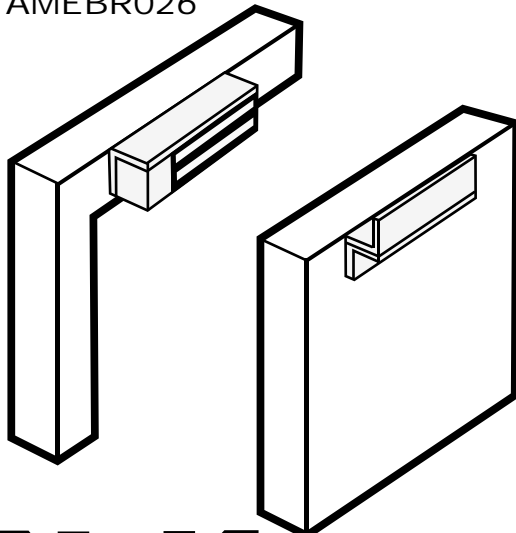
Jumper Settings

12v dc (default) 24v dc



Brackets

Inward opening door
AMEBR026



Outward opening door
AEMBR006

